

PAKISTAN AERONAUTICAL COMPLEX, KAMRA MIRAGE REBUILD FACTORY

TENDER NOTICE NO MRF/16-17/11 DATED 25 JANUARY, 2017.

1. Mirage Rebuild Factor, Pakistan Aeronautical Complex Board Kamra invites sealed bids from the Original manufacturer / authorized distributors / suppliers / contractor registered with Income Tax and Sales Tax Department and PACB registered for supply of following miscellaneous items on F.O.R Basis. Details of requirements is as follows:-

“bolicone 36124 silicon epoxy paint with aluminium pigment., tesa tri-o-bar, tesa tri-o-bar, torque wrench(40-200)ib ft, torque wrench(100-1000)ib ft, alloy flow arrester, bullet proof jacket, bullet proof helmet, nvgs, metal detector hand set, thinner dl 108, computer intel core i 3 with (led & complete accessories, welding wire, floor scrubber single disc machine, auto fire system (l/r), storage cabinet, tool mounting racks, storage rack steel 6x6x3 ft, guard post bullet proof, walkie talkie set hand held, walk through gate metal detector, binoculars, under vehicle surveillance system with lcd monitor and one camera fith fish aye lens (with out ramp), rfid biometric devices, filler wire dia 1 mm to 1.2 mm, dial test indicator compc 0-30 mm, dti(compac), mercer precision dial guage range 0-50mm, test rig machine (l/r), rack alluminium with 5 shelves (9' x 7' x 20"),rack alluminium with 5 shelves (11.5" x 7" x 20"),gasket, main ram plat form lift, chemical pumps (oil system), blowout disc, oil filter rgb t/stand, oil filter rgb t/stand, toyota s/cab mod 2016 (eng no 2kdu892314), storage cabinet, hydraulic oil, component test kit, silicon varnish, lubricating, versilube, torque wrench s.no 1240, torque wrench 100 m/dan, computer intel core i3 with led 18.5 inch,auto fire fighting system”.

2. List of items can also be downloaded from PPRA website www.ppra.org.pk and as well as PACB website www.pac.org.pk free of cost or can be collected from DTE of Log (LP Section) MRF PAC Kamra Distt Attock from 26-01-2017 during working hours (except holidays).

3. The quotations, prepared in accordance with the instruction in the Tender List, must reach at Mirage Rebuild Factory PACB Kamra **before 09-02-2017 at 1000 Hrs. Quotations will be opened on the same day at 1100 Hrs.** The advertisement is also available on PPRA website at www.ppra.org.pk and as well as PACB website www.pac.org.pk

Please contact **Tele # 051-9099-4414 / 4417 or Fax No 057-9317412** for any other information.

**DIRECTOR LOGISTICS
MRF PACB KAMRA
DISTT ATTOCK**



**LIST OF OPEN TENDER NO MRF/16-17/11
DATED 25-01-2017 OPENING DATE 09-02-2017**

SNO	PART NO	NOUN	QTY	U/I	Specification
1	P-630	BOLICONE 36124 SILICON EPOXY PAINT WITH ALUMINIUM PIGMENT.	5	KG	GENERAL CHARACTERISTICS : A. SILICON EPOXY RESIGN BASED PAINT WITH ALUMINIUM PIGMENT AND ZIRCONIUM NAPHTHENATE BASED CATALYST WITH 6 % METAL INCLUDING ALSO A THINER (P0766) ELEMENT: PAINT ON DRY EXTRACT 36 % TO 39 % ALUMINUM CONTENT IN 20 % RELATION TO PAINT CATALYST 0.6 %
2	6230034	TESA TRI-O-BAR	1	EA	REQUIRED TO MEASURE INSIDE DIAMETER MADE BY : INSIDE OR EQUIVALENT RANGE FROM 2.75 INCH TO 3.50 INCH
3	6230033	TESA TRI-O-BAR	1	EA	REQUIRED TO MEASURE INSIDE DIAMETER MADE BY : INSIDE OR EQUIVALENT RANGE FROM 2.00 INCH TO 2.75 INCH
4	QC1R200	TORQUE WRENCH(40-200)IB FT	1	EA	RANGE (40-200) IBFT
5	QJ284C	TORQUE WRENCH(100-1000)IB FT.	1	EA	RANGE 100-1000) IBFT
6	VAC-HYD-PINK-STOPOFF	ALLOY FLOW ARRESTER	5	LT	NICROBRAZE GREEN/WHITE STOP-OFF VAC-HYD PINK STOP-OFF LIKELY MANUFACTURER : NICHROBRAZ & NICROCOAT PRODUCTS-WALL COLMONY CORPORATION , DETROIT MI OR EQUIVALENT 2.CM PRODUCTS -COAST METAL ,INC,LITTLE FERRY,NJ OR EQUIVALENT 3.ACRYLOID-ROHM & HOSS , PHILDELPHIA,PA OR EQUIVALENT 4.KRYLON PRODUCTS-KRYLON CORPORATION , NORRISTOWN ,PA OR EQUIVALENT 5.VAC HYD PRODUCTS-VAC HYD-PROCESSING CORPORATION , DETROIT MI OR EQUIVALENT
7	8470-PK-000138	BULLET PROOF JACKET	10	EA	PALS webbing for MOLLE attachment hydratin/communication Tabs for routing single-handed 4 wire cutaway EPIC or equivalent low profile shoulders the patented ballistic vein increses load carriage performance , provide a rigid platform, reduces fatigue , stablizes and enhances soft armour inserts. PATENT USA,AUSTRALIA CANADA



PAKISTAN AERONAUTICAL COMPLEX
2 A SYMBOL OF EXCELLENCE IN AVIATION
www.pac.org.pk



					<p>EQUIVALENT OR HIGHER REINFORCED DRAG HANDLE FRONT PLATE SOFT BALLISTIC RIDGE INCLUDING EPIC 1 ONLY accommodates standard SAPI/ESAPI plates (0.75" thick) removable assaulters zip on black panel lasc adjustable cummerbund repair buckle kit the EPIC or equivalent In THREE DIFFERENT STYLES DEPENDING ON THE THICKNESS epic 1 or equivalent should accommodates standard sap1/esapi plates(0.75 " thick epic 2 or equivalent shouldhold cerom & ceradyne plate styles(0.5" thick) epic 6 or equivalent should hold tyrha 3/7 plate style (0.5 thick) equivalent or higher</p>
8	8415-68-900-0058	BULLET PROOF HELMET	10	EA	<p>BALLISTIC PERFORMANCE FRAGMENTATION NATO STANAG 2920 V50 FRAGMENTATION MODEL: PASGT -1 EQUIVALENT OR HIGHER BALLISTIC PROTECTION LEVEL: NIJ LEVEL IIIA (3A) 9MM 0.357 MAGNUM 0.44 MAGNUM FRAGMENTATION LEVEL: 600-650 M/S 17 GRAIN FRAGMENTATION SIZE & WEIGHT: SMALL:53 CM WEIGHT: 1.2 KG MEDIUM: 54-59 CM WEIGHT:1.35 KG LARGE: 57-64 CM WEIGHT: 1.4 KG XL: 64 CM WEIGHT : 1.45 KG COLOUR OPTION: OLIVE,NAVY,BLACK,SAND,UN BLUE.</p>
9	22G/NIV-L-32	NVGS	1	EA	<p>GENERATION:WPT MAGNIFICATION:1X RESOLUTION:60-74 LP/MM FOV:40° TOTAL DARKNESS IR SYSTEM:YES LENS SYSTEM:F/1.2,26 MM PROSHEILD LENS COATING:YES DIOPTRER ADJUSTMENT:-6 TO +2 AUTIOMATIC BRIGHTNESS CONTROL:YES BRIGHT LIGHT CUT OUT: YES INFRARED ILLUMINATOR:BUILT-IN IR INDICATOR:YES LOW BATTERY INDICATOR:YES POWER SUPPLY:1 X 3V (CR123A) BATTERY LIFE:60 HOURS ENVIRONMENTAL RATING: WATER RESISTANT OPERATIONAL TEMPERATURE:-40 °F TO</p>



PAKISTAN AERONAUTICAL COMPLEX
3 A SYMBOL OF EXCELLENCE IN AVIATION
www.pac.org.pk



					122 °F/-40 °C TO 50 °C STORAGE TEMPERATURE: -58 °F TO 158 °F/-50 °C TO 70 °C DIMENSION:160MM X 150MM X 75 MM WEIGHT:1.1 LBS WEIGHT (KG):0.5 KG equivalent or higher
10	5Q/NIV-L-17C	METAL DETECTOR HAND SET	1	EA	operating temperature:-35 °f(-37 °c) to 158 °f (70 °c) humidty:95 % Audio frequency: 2 khz Warble Tuning: automatic indicators:speaker led Alert lights Green : power on Amber: Battery Low Red: ALARAM condition Controls:Power switch (Audio /off/Silent) interference elimination mimentry switch Battery:siingle 9 v battery provides up to 100 hours of normal operation. optional NiMH rechargeable battery up to 45 hours on a single charge equivalent or higher
11	P-766	THINNER DL 108	2	CA	THINNER FOR GUN SPRAYING PAINT GENERAL CHARACTERISTIC: AROMATIC HYDROCARBON DENSITY: .860KG/DM3 (0.03107 LB/CU.IN) INITIAL DISTILATION TEMPERATURE: 138 DEG.C (280 DEG .F)
12	21B/7010PK0008503	COMPUTER INTEL CORE I 3 WITH (LED & COMPLETE ACCESSORIES	2	EA	MOTHERBOARD: INTEL PROCESSOR: INTEL CORE I 3 -6100 OR HIGHER RAM : 04 GB DDR-III 1600 MHZ/OR HIGHER HARD DISK: 500 GB SATA OPTICAL DRIVE : SUPER COMBO DRIVE NETWORK CARD : 10/100/1000 MBPS BUILT IN KEYBOARD:BRANDED MOUSE:BRANDED CASING:TOWER BRANDED POWER SUPPLY: BRANDED WARRANTY : OEM MINIMUM 01 YEAR
13	H1CR19N19TI	WELDING WIRE	16	KG	REQUIRED FOR TIG WELDING 1.00 MM TO 1.50MM DIAMETER
14	SDM-R45G	FLOOR SCRUBBER SINGLE DISC MACHINE	1	EA	REQUIRED TO BE USED FOR SCRUBBING THE FLOOR TILES POWER:230V / 50 HZ PAD DIA:43MM PAD PRESSURE:44.3G/CM ² SPEED : 1600RPM MOTOR RATING:1600W CABLE LENGTH:12M



PAKISTAN AERONAUTICAL COMPLEX
 4 A SYMBOL OF EXCELLENCE IN AVIATION
www.pac.org.pk



					WEIGHT:41 KG NOISE LEVEL:60dB (A)
15	145	AUTO FIRE SYSTEM (L/R)	1	EA	COMPLETE REPAIR / SERVICING OF SAID SYSTEM CYLINDER QTY 12 RETEST AS PER COMPRESSED GAS RULES REFILING OF CO ² IN QTY 12 CYLINDER OF 40KG EACH REPLACEMENT OF QTY 12 FLOOD VALVES
16	21B/305	STORAGE CABINET	3	EA	SIZE 6FT H X 6FT W X 2FT DEEP,12 DRAWERSFILLING CABINET MATERIAL CRC E.G GRADE 1 IMPORTED,THICKNES .8MM TO 2MM . DRAWER RUNNING ON DOUBLE BALL BEARING SYSTEM .ALL GRAWER HAVE BUILT IN HANDLE AND CARE FRAME.DRAWERS HAVE CRADLE FOR HANGING CRAFT POCKET.SAFETY LOCKS MACHNASIM WHICH ALLOW ONE DRAWER TO OPEN AT ONE TIME . CABINET FITTED WITH CYLINDER LOCK AND KEYS IN DUPLICATE .TOP TWO CABINET ARE EQUALLY DIVIDED IN 12 PARTITION.((SAMPLE PHOTOGRAPH IS AVAILABLE WITH L.P SECTION)
17	29g/niv-73	TOOL MOUNTING RACKS	1	EA	SIZE REQUIRED 6 FT L X 6FT XH X 3FT W FRONT AND BACK 06 ROWS OF PLASTIC BINS EACH ROWS HAVING 10 PLASTIC BIN HANGING ON THE RACK (SAMPLE PHOTOGRAPH IS AVAILABLE WITH L.P SECTION)
18	21B/NIV/L/0003B	STORAGE RACK STEEL 6X6X3 FT	2	EA	SIZE REQUIRED 6 FT H 6 FT W 3 FT DEEP RACK IS DIVIDED IN FOUR SHELF USE FOR HEAVY AND BULKY ITEMS.(SAMPLE PHOTOGRAPH IS AVAILABLE WITH L.P SECTION)
19	22F/NIV-L-78	GUARD POST BULLET PROOF	1	EA	Dimension:Length 06 feet width: 06 feet Heigth:7.0 feet Protection level: 7.62 mm Nato (b-6 level) Protection against hand granade: full common feature: Field of view: all round glass firing post Maximum weight:2000 kg Firing ports: 05 to 07 Rifle rack provided for: rifle g-3,smg,mp5a2 and mg1a3 airing:ventilation seating: 02 siren:01 cooling unit: capacity 01 ton (reversable) telephone socket: 01 revolving light:01 search light: 01



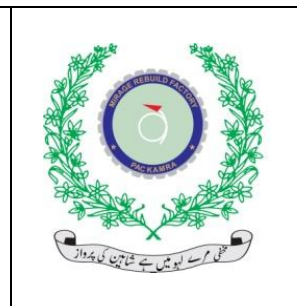
PAKISTAN AERONAUTICAL COMPLEX
5 A SYMBOL OF EXCELLENCE IN AVIATION
www.pac.org.pk



20	10d/Niv-L-88	Walkie Talkie Set Hand Held	4	EA <p>FEATURES RANGE, 1 FREQUENCY RANGE VHF , 2 NO OF CHANNELS >99 , 3 CHANNEL SPACING 12.5/20/25 KHZ, 4 OPERATING TEMPERATURE -20 °C TO +55 °C , 5 STORAGE TEMPERATURE -40 °C TO +85 °C, 6 BATTERY BATTERY HAVING ENHANCED LIFE WITH AT LEAST 9 HOURS OPERATION IN ANALOGUE AND 13 HOURS IN DIGITAL MODE AT 5/5/90 DUTY CYCLE , 7 RF POWER OUTPUT 1W AND ≥5W USER SELECTABLE, 8 "FREQUENCY STABILITY (-20 °C TO +55 °C)" ± 1.5 PPM, 9 HUM AND NOISE " 40 DB @ 12.5 KHZ 45 DB @ 20 / 25 KHZ", 10 MODULATION LIMITING "± 2.5 KHZ @ 12.5 KHZ ± 4.0 KHZ @ 20 KHZ, ± 5.0 KHZ @ 25 KHZ", 11 CONDUCTED / RADIATED EMISSION " -36 DBM < 1 GHZ -30 DBM > 1 GHZ", 12 ADJACENT CHANNEL POWER " 60 DB @ 12.5 KHZ 70 DB @ 20/25 KHZ", 13 DIGITAL VOCODER TYPE AMBE++ OR SELP, 14 DIGITAL PROTOCOL ETSI-TS 102 361-1, 2 & 3 , 15 SENSITIVITY ANALOGUE "3.5 μv (12 DB SINAD), 0.22 μv (TYPICAL) (12 DB SINAD) 0.4 μv (20 DB SINAD)", DIGITAL 5% BER : 0.3 μv, 16 INTERMODULATION 65DB, 17 ADJACENT CHANNEL SELECTIVITY "60DB @ 12.5 KHZ 70 DB @ 20 / 25 KHZ", 18 SPURIOUS REJECTION 70 DB, 19 RATED AUDIO 500 MW, 20 AUDIO DISTORTION @ RATED AUDIO 3% (TYPICAL), 21 AUDIO RESPONSE +1 ~ -3 DB, 22 CONDUCTED SPURIOUS EMISSION < -57 DBM, 23 MODE DUAL MODE (ANALOGUE + DIGITAL), SHOULD BE COMPATIBLE WITH MOTOROLA GP2000, 24 SCAN ALLOWS TO MONITOR MULTIPLE CHANNELS AND RECEIVE CALLS., 25 ENCRYPTION ENHANCE BUILT-IN VOICE AND DATA ENCRYPTION WITH KEY MANAGEMENT. ATLEAST RC41 AND PREFERABLY USER CUSTOMIZABLE 256 BITS AES, 26 DATA COMMUNICATION INTEGRATED DATA PORT COMPATIBLE WITH PC ALONG WITH REQUISITE SOFTWARE / DRIVERS, 27 INTERFACE FLEXIBLE, MENU-DRIVEN INTERFACE WITH USER-FRIENDLY ICONS AND AT LEAST TWO LINES OF TEXT FOR EASE OF READING TEXT MESSAGES. 28 INDICATOR TRI-COLOUR LED INDICATOR FOR CLEAR, VISIBLE FEEDBACK OF CALLING, SCANNING AND MONITORING., 29 DISPLAY LARGE SIZE TFT COLOUR LCD</p>
----	--------------	-----------------------------	---	--



PAKISTAN AERONAUTICAL COMPLEX
 6 A SYMBOL OF EXCELLENCE IN AVIATION
www.pac.org.pk



					<p>DISPLAY, 30 BUTTONS " * LARGE, EASY TO USE NAVIGATION BUTTONS ALLOWS EASY ACCESS TO INTUITIVE MENU-DRIVEN INTERFACES. GRAMMABLE BUTTONS FOR EASY ACCESS TO REQUIRED FEATURES SUCH AS ONE-TOUCH CALLING. * LARGE, TEXTURED PUSH-TO-TALK BUTTON. PROVIDES GOOD TACTILE RESPONSE AND EASY ACCESS, EVEN WHEN WEARING GLOVES.", 31 SPEAKER POWERFUL, FRONT PROJECTING SPEAKER, 32 ANTENNA SINGLE ANTENNA WITH INTEGRATED GPS MONOPOLE, 33 SEALING RATED IP57. PROTECTED AGAINST HARM FROM DUST OR WATER SPRAY., OPTIONAL FEATURES , 34 GPS "INTEGRATED GPS (WITH GPS LOCATION TRACKING), GPS PERFORMANCE : -TTFF (TIME TO FIRST FIX) COLD START < 1 MINUTE -TTFF (TIME TO FIRST FIX) HOT START < 10 SECONDS - HORIZONTAL ACCURACY < 10 METERS", 35 IP MULTI SITE IP CONNECTION , 36 SMS ATLEAST 256 CHARACTERS, 37 EMERGENCY BUTTON TO ALERT SUPERVISOR OR DISPATCHER IN AN EMERGENCY SITUATION , ACCESSORIES / MANUAL , 38 OPERATING MANUAL, 39 SERVICE MANUAL, 40 RAPID CHARGER, 41 MULTI CHARGER OPTIONAL, 42 BATTERY OPTIMIZING SYSTEM OPTIONAL, 43 HEADPHONE OPTIONAL, 44 BLUETOOTH REMOTE SPEAKER MICROPHONE OPTIONAL, 45 LEATHER COVER OPTIONAL, 46 "SOFTWARE & CABLE (PC TO RADIO)" OPTIONAL, 47 CLONE CABLE OPTIONAL, MISC 48 WARRANTY MINIMUM 02 YEARS , 49 SPARE & MAINTENANCE SUPPORT ATLEAST FOR 10 YEARS, 50 MILITARY STANDARDS : MIL-STD-810 C, D, E, F AND G STANDARDS FOR TEMPERATURE, SHOCK, VIBRATION, RAIN SALT FOG, DUST AND SAND, HUMIDITY AND SOLAR./ EQUIVALENT. OR HIGHER</p>
21	6350/pk-000-1270	Walk Through Gate Metal Detector	2	EA	specification is available at the end of this tender
22	14c/niv-l-27a	binoculars	2	EA	<p>very high quality military grade dimension: 9" x 9"x 4" magnification: 60x 50 field of view: 122m/1000m multi coated lens for glare and uv protection aluminium and rubber body focus adjuster</p>



PAKISTAN AERONAUTICAL COMPLEX
7 A SYMBOL OF EXCELLENCE IN AVIATION

www.pac.org.pk



					bright and clear case , neck strap, lens cover and cleaning cloth night prism feature absorbs light for easier viewing at night
23	uvss	under vehicle surveillance system with lcd monitor and one camera fith fish Eye lens (with out ramp)	1	EA	low profile flush mount with easy instalation motion activated advanced intelligent hd color cameras smart led for day/night operation inspect commercial /passanger vehicles upto 30mph 40-ton axle capacity searchable datgabase with 300,000+ images foreign objective detection ruggedized housing & lenses debris removal sysytem heater and thermostat lpr recognition fave recognition intellegent video analytics type: permanent in ground environmental:ip67 sealed / submersible load rating: 40ton per axle design: aliminium block drive over surface mount cameras cameras: intellegent color progressive line rapid scan ccd imaging resolution high definition (5000x2048 pixels) environmental: ip67 coverage: full front to back (passanger or commercial operating temp: -30 °F to 140 °f power: 500w,90-240vac dimension: 47.2" x 13.8" x 11.8" lighting:smart led mtbe: 100,000 hours environmenal: ip67 input:2- channel induction coil output:1 chanel switch type 21 vdc communication; rs485/ethernet control unit:pc-based rackmount storage :2 tb hard drive storage capacity: 300,000+ records cpu: intel i7 six core processor ram: 8 gb ddr3 operating temp:14 °f to 122 °f power: 110/2220v ports: (2)usb 2.0 netwok dual: lan ,1 gbps compliance: usgcb/disa/fips 140-2 cable management: 15 m integrated power /data cable type:22-awg utp/sheilded connectors:1-1/4" mil spec functionality:



PAKISTAN AERONAUTICAL COMPLEX
 8 A SYMBOL OF EXCELLENCE IN AVIATION
www.pac.org.pk



					<p>monitor:single / multi configuration record: motion activated with pre/post record speed: real time video layout:single /dual/quad view video controls:forward/ff/pause/playback/rewind/frame advance plate recognition:front rear anpr with white/black list database; sql/ query/lpr/face/date/time/location detection;automated foreign object/automated comparison notification:audible/visible alarm option: magnetic field detection ,dust removal air system,thermostate control ,intellegent video analytics warranty: 02 year all hardware/software</p>
24	22f/niv-l-75	rfid biometric devices	1	EA	spec available at the end of this tender
25	AMS5824	FILLER WIRE DIA 1 MM TO 1.2 MM	10	LBS	REQUIRED WIRE DIA 1 MM TO 1.2 MM
26	521GL	DIAL TEST INDICATOR COMPC 0-30 MM	1	EA	RANGE 0-50 MM ±0.1 MM ACCU
27	556G	DTI(COMPAC)	1	EA	RANGE 0-50 MM ±0.1 MM ACCU
28	712COMPAC	MERCER PRECISION DIAL GUAGE RANGE 0- 50MM	1	EA	RANGE(0-25MM) ±0.01 ACCURACY
29	BEA-1468	TEST RIG MACHINE (L/R)	1	EA	REPAIR REQUIRED: TEMPERATURE METER TN 200 QTY VOLT METER VN2000 ATY 02 CONNECTER 8510EC83P50 QTY 04 PLUIG 532653 QTY 03 PLUG 532654 QTY 4 TEMPERATURE PROB 48030/PT100 ATY 4
30	8135PK2160002	RACK ALLUMINIUM WITH 5 SHELVES (9' X 7' X 20")	As Reqd	EA	total 15 shelves of 20 x 14 x 36 inch dimension (12mm Glass to be used for shelving) sliding Glass door aluminium sides & lock at front of rack (total dimension 9 ft x 7ft x 8mm) aluminum sheet (5mm) to be used for top,back and both sides of rack) (diagram is available at LP section)
31	8135PK2160001	Rack alluminium with 5 shelves (11.5" x 7" x 20")	As Reqd	EA	Total 20 shelves of 20 x 14 x 34.5 inch dimension (12mm Glass to be used for shelving sliding glass door alluminium sides & locks at front rack (Total dimension 11.5 ft x 7ft x 8mm) aluminium sheet (5mm) to be used for top,back and both sides of rack)
32	6800470	GASKET	20	EA	Gasket Shipping Container are required for Renovation of T-56 Engine Reduction Gear Box



					Conatiner.
33	80-50-0590	MAIN RAM PLAT FORM LIFT	1	EA	PART NO 80-50-0590. Used with Plate form Lift.
34	100K003N	CHEMICAL PUMPS (OIL SYSTEM)	1	EA	Chemical pump, Air Powered. Used at METC for oil charging in engine.
35	1-1/2INCHCDC-R	BLOWOUT DISC	1	EA	1-1/2 INCH CDC-R. Used for operation of Fuel Buffer Tank
36	SAF28-G-12-PV	OIL FILTER RGB T/STAND	1	EA	Filter, Fluid, 1Spin ON, 3/4" NPT. 10 Micron with Viton Seals rated 20 GPM at 200 PSIG. Used for T-56 Reduction Gearbox Test Stand.
37	KF3-1K3-V-P-D	OIL FILTER RGB T/STAND	1	EA	Filter, Fluid, 100 GPM, 300 PSI Canister Element Type, 3 Micron with Viton Seals. Used for T-56 Reduction Gearbox Test Stand.
38	16A/NIV-L-564	TOYOTA S/CAB MOD 2016 (ENG NO 2KDU892314)	1	EA	Scope of Work " Required Conversion of Single Cabin into Double Cabin including Single AC Cooling Unit (Genuine with standard warranty), Luggage Box (Standard), Imported security lock system, Roof rack with brackets, Diggly seats 2 Nos molded,
39	21B/305	STORAGE CABINET	As Reqd	EA	STEEL SIZE 4ft L x 5ft H x 1.6 ft Deep with small Draws and 03 large Draws.(diagram is availbal with LP section)
40	CPP1000	HYDRALIC OIL	10	LTR	Used during testing of oil temp regulator of TFE731 engine.
41	296249-1/2	COMPONENT TEST KIT	1	EA	Used during troubleshooting and testing of FCU OF TFE731 engine. Made Honeywell USA.
42	SR32	SILICON VARNISH	3	Ea	Part No SR32. Used for O/H OF Ignition Exciter. Manf Geneal Electric Co NY.
43	2670888	LUBRICATING	5	Ea	OIL PART NO 2670888
44	F-50	VERSILUBE	1	Ea	Manf General Electric Co NY to threads of adaptor at assy to prevent galling.
45	QJA1-480	TORQUE WRENCH S.NO 1240	1	EA	REQUIRED TO BE USED FOR TORQUENING OF BEARING REF MODEL OR EQUIVALENT K.201B CAPACITY:180-900 N.M CAPACITY IN LBS:150-650 SQUARE:3/4,M.200E L:1019MM L1:595 WRENCH:K.200DB RATCHET:K.151A HANDLE:K.200MA BOX:BT.102: TRAY:PL.549



PAKISTAN AERONAUTICAL COMPLEX
10 A SYMBOL OF EXCELLENCE IN AVIATION
www.pac.org.pk



46	1A/NIV-03	TORQUE WRENCH 100 M/DAN	1	EA	REF MODEL:K.203B OR EQUIVALENT CAPACITY:300-1500N.M CAPACITY IN LBS:250-1100 SQUARE:3/4,M.200E L:1019MM L1:595 WRENCH:K.200DB RATCHET:K.151A HANDLE:K.202MA BOX:BT.102: TRAY:PL.549
47	211BM/NIV-L-148B	COMPUTER INTEL CORE I3 WITH LED 18.5 INCH	3	EA	MOTHERBOARD:INTEL PROCESSOR:INTEL CORE I3-6100 PTOCESSOR 3M CACHE,UP TO 3.70 GHZ OR HIGHER RAM:04 (2X2)GB DDR-III 1600 MHZ/DDR-IV 1866/21'33 MHZ OR HIGHER HARD DISK:500 GB SATA OPTICAL DRIVE: SUPER COMBO DRIVE NETWORK CARD:10/100/1000MBPS BUILTIN KEYBOARD& MOUSE:BRANDED CASING:TOWER BRANDED POWER SUPPLYU: BRANDED DISPLAY:19.5" BRANDED WARRANTY :MINIMUM 01 YEARS
48	NSL-CA-01	AUTO FIRE FIGHTING SYSTEM	1	EA	COMPLETE REPAIR / SERVICING OF SAID SYSTEM CYLINDER QTY 24 RETEST AS PER COMPRESSED GAS RULES REFILING OF CO2 IN QTY 24 CYLINDER REPLACEMENT OF QTY 24 FLOOD VALVES

TERMS & CONDITIONS:-

- (i) GST may be indicated separately. The envelopes must be marked with "Item's name and Commercial / Technical offer". Literature / brochures of equipment must be attached with technical offer.
- (ii) Quotations must be submitted in two copies for single line item i.e. one copy with technical details without price and one copy as commercial offer in one envelopes (no quotation will be accepted if it contains more than 01 item in a single quotation)
- (iii) Validity period should not be less than 90 days.
- (iv) Complete technical specifications, MSDS, OEM & Conformance Certificate, Calibration certificate, Fitness report where applicable are required. Sample of chemicals may be asked for test.
- (v) Quotation received after due date / time will not be entertained. The CFA reserves the right to accept / reject the part or whole tender.
- (vii) Quantity can be increased / decreased at the time of order as per our requirement.

Directorate of Logistics MRF, PAC Kamra
Contact No. 051-90994294 & 4414, Fax No. 057-9317412



Spec required for walk through gate metal detector

Dimensions:

Archway inside- 30 Inches Wide 80 Inches High 20 Inches Deep
Overall outside- 35 Inches Wide 87 Inches High 20 Inches Deep

Regulatory Standards:

The Intelliscan Thirty Three-Zone is certified by the U.S. Federal Aviation Administration, and meets or exceeds all requirements of the National Institute of Law Enforcement and Criminal Justice (N.I.L.E.C.J.) standard 0601.00 security levels 1-5.

Electronics and Electromagnetic:

The Intelliscan Thirty Three-Zone is processor based and features true multiple-zone performance. The archway passage consists of two separate zones. It combines unique multiple independent sensors with high speed digital processing. A built in display panel provides instant visual identification of the exact location of a suspected weapon, or weapons, in the archway area.

Detection Programs.

The Intelliscan Thirty Three-Zone has 20 detection programs. They have been designed for both weapon screening and asset protection applications. The weapon screening applications are designed for various threat levels and provide good detection of ferrous and non-ferrous metals.

Header Assembly, Control Panel and Display

The Control Panel at the front of the Header Assembly contains an on/off Key switch, a built in Alarm Display Panel, an L.C.D. Display Panel that shows system operating parameters, and Keypad for operating parameter data entry. The built in Alarm Display Panel depicts the area within the archway opening. It has an L.E.D. alarm showing the detection zones. A twelve-segment bargraph display shows an object's signal strength in real-time. Also included are red Alarm events L.E.D. a green Ready L.E.D. and yellow Wait L.E.D. all electronics are housed in the Header Assembly.

System Throughput:

The Intelliscan Thirty Three-Zone accommodates a wide range of walk-through transit speeds. Rapid automatic reset maximizes the system throughput rate to over fifty passes per minute. It's speed range provides consistent detection over a wide range of object transit speeds.

Interference immunity:

The Intelliscan Thirty Three-Zone advanced design provides excellent interference rejection. Outside interference from sources such as computers, fluorescent lights, etc., have minimal impact, enabling the unit to operate in environments that render many units inoperable.

Uniform Detection:

The field of detection is uniform from top-to-bottom with no hot spots or dead spots. In situations where large amounts of steel re-bar exist in a support floor and cause a drop in detection at ankle height; adjusting the sensitivity of the floor level zone can compensate the loss. Normal operation can be achieved even when excessive amounts of metals are present. The sensitivity of the six horizontal zones can be adjusted independently. They allow uniform detection to be maintained in all regions of the detector. Horizontal Axis Gain Control compensates for detection losses caused by external metal in walls or furniture. It adjusts the sensitivity horizontally across each zone.

Multiple Operating Frequencies:

The Intelliscan Thirty Three-Zone provides nine user selectable operation frequencies allowing simultaneous operation of multiple units without interconnecting slaving cables.

Memory:

The Intelliscan Thirty Three-Zone utilizes an embedded microprocessor. Whenever adjustments are made to the operating parameters they are automatically retained in memory. When the detector is powered down the previously entered operating parameters are retained in memory.



System Security:

Intelliscan Thirty Three-Zone is pass-code protected and has a locking key switch that connects the AC power. A six digit pass code must be entered before operating parameters can be changed.

Construction:

The Intelliscan Thirty Three-Zone is coated in a durable resistant Formica finish. The Side Panels and Header Assembly are sturdily constructed for stability and durability.

System Diagnostics:

The Intelliscan Thirty Three-Zone has self-diagnostics test routines. When the unit is powered up it automatically self-test and calibrates itself to the surrounding environment. Periodic calibration is not needed.

Electrical:

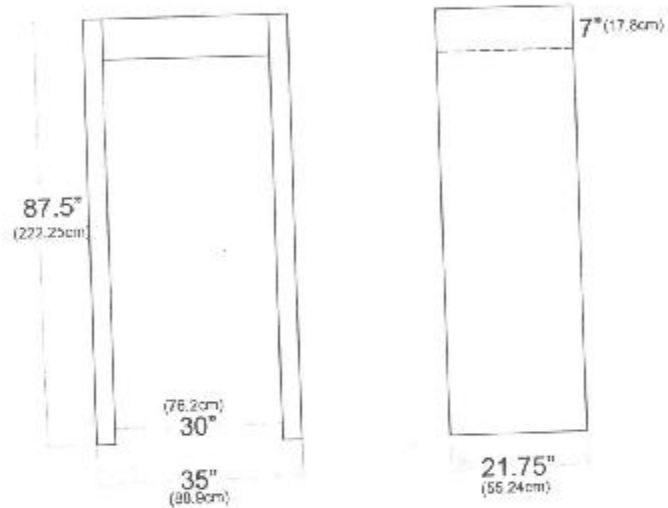
The Intelliscan Thirty Three-Zone's Universal Power Supply operates off voltages in the range 115-230VAC / 47 to 63Hz.

Operating Environment:

Indoor operation from 0C to +55C. Humidity to 95% non-condensing

Weight:

140lbs (63.6 Kg)



Warranty:

A two year limited warranty.

Weight: 140lb. (63.6kg.)

4



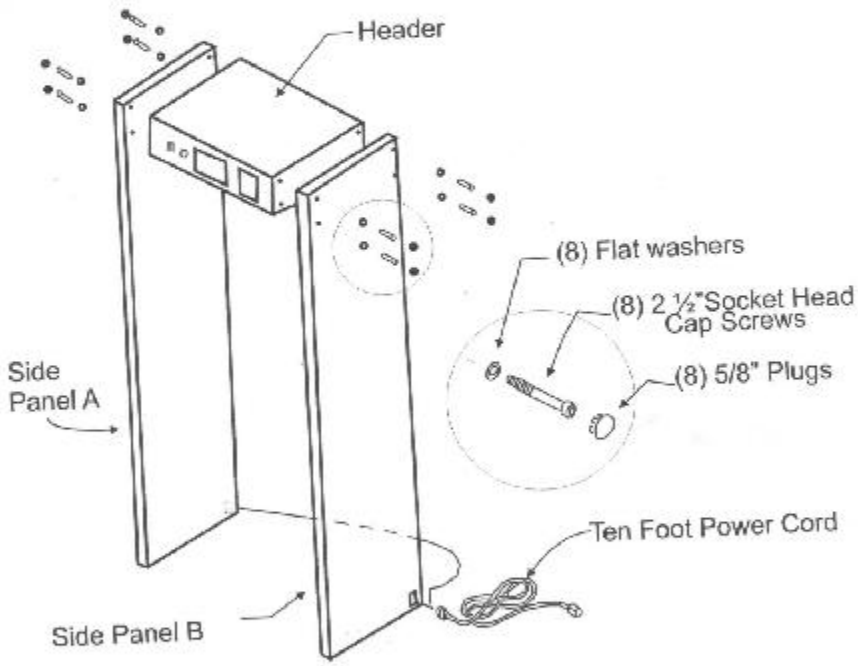
PAKISTAN AERONAUTICAL COMPLEX
13 A SYMBOL OF EXCELLENCE IN AVIATION
www.pac.org.pk



Parts List:

1. Header (Electronics enclosure)
2. Side Panel A
3. Side Panel B
4. (8) Flat Washers
5. (8) 2^{1/2}" Socket Head Cap Screws
6. (8) 5/8" Plugs
7. Ten Foot Power Cord

Parts Diagram:



PAKISTAN AERONAUTICAL COMPLEX
14 A SYMBOL OF EXCELLENCE IN AVIATION
www.pac.org.pk



SPEC FOR RFID BIOMETRIC DEVICES

TECHNICAL SPECIFICATIONS OF RFID BIOMETRIC DEVICES

S.No	Specification	
1	CPU	32bit ARM9 and Dual 8bit Microprocessor
2	Finger Print Module Program Memory	128KByte ROM
3	Finger Print Data Memory	128KByte / 256KByte / 512KByte Flash Memory
4	Controller Program Memory	64KByte Flash Memory
5	Fingerprint User	1,000 / 2,000 / 4,000 Fingerprint Users
6	Fingerprint Templates Size	800 Bytes for 2 Fingerprint Templates
7	Event Buffer	26,000 Event Buffers
8	Read Range	Up to 4 inch (10cm)
9	Type	Passive
10	Reading Time	30ms
11	Verification / Identification Time	Less than 1sec / Less than 2sec.
12	Power / Current	DC 12V / Max.300mA
13	External Reader Port	1ea (34bitWiegand 4 / 8bit Burst for PIN) for Anti-Pass-Back
14	Communication	RS232 / RS422 / RS485 (Max 32ch) TCP/IP (External LAN Converter Required)
15	Baud Rate	9,600bps (Default) / 4,800bps, 19,200bps and 38,400bps (Selectable)
16	Input port	4ea (Exit Button, Door Sensor, Aux# 1, Aux#2)
17	Output Port	2ea (FORM-C Relay Output (COM, NO, NC) /DC12V-18V, Rating Max 2A) 2ea (TTL Output / DC5V, Rating Max 20mA)
18	LCD	Character LCD (2 Lines x 16 Char) / 65.6mm x 13.8mm (2.62" x 0.55") Screen
19	Keypad	16 Key Numeric Keypad with Back Lighting
20	LED Indicator	3 Array LED Indicators (Red, Green and Yellow)
21	Beeper	Piezo Buzzer
Operating Temperature		
21	Finger module	-15° to +40°C (+5° to +104°F)
22	LCD	0° to +50°C (+32° to +122°F)
23	Controller Operating	15° to +70°C (+5° to +158°F)
24	RF Reader	-35° to +65°C (-31° to +149°F)
25	Operating Humidity	10% to 90% relative humidity non-condensing
26	Color / Material	Dark Pearl Gray / Polycarbonate
27	Dimension (W x H x T)	6.36" x 5.28" x 1.9" (161.5mm x 134mm x 48.5mm)
28	Weight	547g (1.21lbs)
29	Certification	UL, FCC, CE, MIC



PAKISTAN AERONAUTICAL COMPLEX
 15 A SYMBOL OF EXCELLENCE IN AVIATION
www.pac.org.pk



Fingerprint Module Specification		
30	Resolution	600dpi
31	Capture Image Size	356 X 292 pixels
32	Extraction Image Size	248 X 292 pixels
33	Sensing Area	12.7mm X 14.9mm
34	Scanner	High Quality Optical Sensor
35	FAR(False Acceptance Ratio)	0.001%
36	FRR(False Reject Ratio)	0.1%
37	ESD(Electro Static Discharge)	15KV
38	Verification Time	Less than 1sec.
39	Identification Time	Less than 2 sec.

OR

Equivalent / latest specification available in the market



PAKISTAN AERONAUTICAL COMPLEX
 16A SYMBOL OF EXCELLENCE IN AVIATION
www.pac.org.pk

