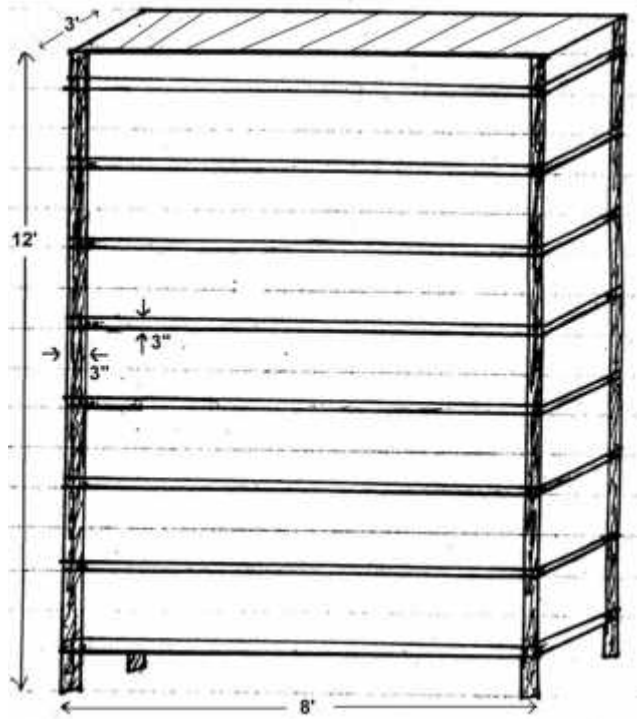


**PAKISTAN AERONAUTICAL COMPLEX, KAMRA  
AIRCRAFT MANUFACTURING FACTORY  
TENDER NOTICE**

**Tender No AMF/2803/240/LOG dated 13 April, 2018.**

1. Sealed tenders are invited from sales tax registered firms for the procurement of the following stores on FOR Kamra basis: -

S NO	Part No	Noun	Qty	Specification	Design
1	4D/AMF-100	Storage Racks (8x12x3) Feet	64 EA	Steel Racks Heavy Duty Adjustable with 08 Shelves Thickness 03 Inch (Including Top) Pillar 14 SWG Beam 14 SWG Shelf Plate 18 SWG Base Plate 10 SWG	

**2. Delivery of Tender**

- (a) **Technical Offer:** It should be without price and contain all relevant essential specification along with literatures / brochures. Tender number, date of opening and word “**Technical offer**” should be clearly marked on the face of envelope.
- (b) **Commercial Offer:** It should indicate price of quoted stores and confirmation to the terms and conditions of our tender inquiry. The words “**Commercial offer**” be marked on its envelope. Prices should be firm and final, there should be no hidden charges in the quotation.
- (c) **Bid Money / Earnest Money:** The registered / unregistered firm with PAC Board will provide 5% earnest money of the quoted value through bank draft in favor of MD AMF PAC Kamra.

**NOTE** Quotations must be submitted in two copies i.e one copy with technical details without price and one copy as commercial offer in separate envelop. Both the envelopes of Technical and Commercial offers should be enclosed in one cover properly sealed and bear the following address of this office.

**Deputy Director Procurement,**  
Aircraft Manufacturing Factory,  
Pakistan Aeronautical Complex, Kamra  
Distt Attock

3. **Opening of Tender**

The quotations must be in original and are to reach at this factory on **1000 Hrs on 30-04-2018**. No quotation will be accepted in photocopy, through Fax and after due date and time. Tender will be opened at 1100 Hrs on the same day. In case of official leave tender will be opened on the next day. We reserve the right to cancel or reject all bids/ proposals at any time prior to acceptance as per PPRA Rules.

4. **Pattern of Quoted Prices**

- (a) The quoted Prices are to be exclusive of all taxes levied by the Government and these should be in accordance with the current Local market prices.
- (b) GST and all other taxes must be mentioned separately.

5. **Validity of offer**

The quotation should be valid for up to 30 June, 2018

6. **Delivery Period**

Delivery time should not exceed 01 months from date of signing of contract.

7. **Release of Payment**

(a) CMA (ISO) RWP will release 100% amount for **Stores** including 17% GST on production of following documents:-

(i)	Invoice/ Bill	:	03 copies
(ii)	CRV	:	01 copy
(iii)	Professional Tax Certificate	:	01 copy
(iv)	General Sales Tax Certificate	:	01 copy
(iv)	On line Tax payer certificate (ATL)	:	01 copy

8. **Disqualification**

Offers are liable to be rejected if: -

- (a) There is a deviation from any instruction.
- (b) Offers are found conditional or incomplete in any respect.
- (c) Multiple rates are quoted against one item or overwriting / erasing in prices.
- (d) Bid money / Earnest money not provided.
- (e) Firm being BLACKLISTED / UNDER IMBARGO / DE LISTED by any Government Organization.

## **9. TERMS AND CONDITIONS FOR TENDER**

1. Items to be delivered at AMF on "FOR" Kamra basis.
2. Store must be new and latest model/production series.
3. Acceptance would be subject to inspection by Quality Directorate AMF.
4. Cost of the Stores should be firm and final.
5. Delivery time should not exceed 01 month from date of signing of contract.

## **10. AMF QUALITY SYSTEM REQUIREMENTS**

1. Following are the requirements to be satisfied by the Supplier (External Provider) / Sub-Contractor (Local Vendor) of AMF:-

1. The processes, products, and services to be provided including the identification of relevant technical data (e.g., specifications, drawings, process requirements, work instructions);
2. The approval of products and services, methods, processes, equipment, and the release of products and services;
3. Provide inspection and testing criteria for acceptance by AMF.
4. Notify AMF about non-conformance product or material supplied.
5. Obtain approval from AMF of changes in product / process.
6. Access by AMF, its customers and regulatory authorities be ensured to applicable areas of all facilities involved in the order and to all applicable records at any level of the supply chain;
7. Provide Objective evidence of the quality of product.
8. To ensure product conformance to specified requirements.
9. To provide manufacturing date and Lot number.
10. To provide shelf life and expiry date as applicable
11. Competence, including any required qualification of persons;
12. The external providers' interactions with the organization;
13. Control and monitoring of the external providers' performance to be applied by the organization;
14. Verification or validation activities that the organization, or its customer, intends to perform at the external providers' premises;
15. Supplier (External providers) apply appropriate controls to their direct and sub-tier Suppliers (external providers), to ensure that requirements are met.
16. Design and development control;
17. Special requirements, critical items, or key characteristics;
18. Test, inspection, and verification (including production process verification);
19. The use of statistical techniques for product acceptance and related instructions for acceptance by the organization;
20. To provide Material / Metallurgical test reports along with raw material for traceability through Lot / Batch No. External Provider will also provide date of manufacture of provided Lot / Batch No of raw material.
21. The need to:-
  - (a) Implement a Quality Management System;

- (b) Use customer-designated or approved external providers, including process sources (e.g., special processes);
  - (c) Notify the organization of nonconforming processes, products, or services and obtain approval for their disposition;
  - (d) Prevent the use of counterfeit parts;
  - (e) Notify the organization of changes to processes, products, or services, including changes of their external providers or location of manufacture, and obtain the organization's approval;
  - (f) Flow down to external providers applicable requirements including customer requirements;
  - (g) Provide test specimens for design approval, inspection/verification, investigation, or auditing;
  - (h) Retain records (documented information), including retention periods and disposition requirements;
22. Ensuring that persons are aware of:-
- (a) Their contribution to product or service conformity;
  - (b) Their contribution to product safety;
  - (c) The importance of ethical behavior.

**NOTE: - THIS TENDER ADVERTISEMENT IS ALSO AVAILABLE ON [www.pac.org.pk](http://www.pac.org.pk)**

**Yours Faithfully,**

**(M ANEES KHATTAK)**  
Squadrom Leader  
For Managing Director  
AMF PAC Kamra  
Tele No: 051-90995290