

# PAKISTAN AERONAUTICAL COMPLEX, KAMRA MIRAGE REBUILD FACTORY

## TENDER NOTICE NO MRF/17-18/14 DATED 13 April, 2018.

1. Mirage Rebuild Factory, Pakistan Aeronautical Complex Board Kamra invites sealed bids from the Original manufacturer / authorized distributors / suppliers / contractor registered with Income Tax and Sales Tax Department and PACB registered for supply of following Miscellaneous items on F.O.R Basis (Professional Tax certificate, Punjab is mandatory). Details of requirements is as follows:-

"1ST STG DIRT FLITERING ELEMENT, 2ND STG WATER SEPARATER ELEMENT, ESD UNIVERSAL SUPPORT, OIL, ALMEN GAGE CALIBRATION KIT, ROE BUCK WORKLINE UNIVERSAL SHELF TROLLY, MOBILE WORK STAND, CHART PAPER HYWL, WELDING POWDER PLASMA, ROLLER CABINET, RAGS WHITE, RAG COLOURED, STOCK NET, SPL LINT FREE CLOTH(CLEANING MATERIAL), WASHING POWDER 500GM, METCO POWDER, NOVA PRESS 1000XUNIVERSAL 1500, NOVA PRESS 1000XUNIVERSAL 1500, POTASIMUM PER MAGNATE.

2. List of items can also be downloaded from PPRA website [www.ppra.org.pk](http://www.ppra.org.pk) and as well as PACB website [www.pac.org.pk](http://www.pac.org.pk) free of cost or can be collected from DTE of Log (LP Section) MRF PAC Kamra Distt Attock from 14-04-2018 during working hours (except holidays).

3. The quotations, prepared in accordance with the instruction in the Tender List, must reach at Mirage Rebuild Factory PACB Kamra **before 27-04-2018 at 1000 Hrs. Quotations will be opened on the same day at 1100 Hrs.** The advertisement is also available on PPRA website at [www.ppra.org.pk](http://www.ppra.org.pk) and as well as PACB website [www.pac.org.pk](http://www.pac.org.pk)

**DUE DATE : 27-04-2018 before 1000 Hrs.**  
**TENDER OPENING TIME : 27-04-2018 at 1100 Hrs.**

Please contact **Tele # 051-9099-4294 / 4414, 4417** or **Fax No 057-9317412** for any other information.

**DIRECTOR LOGISTICS  
MRF PACB KAMRA  
DISTT ATTOCK**

**Directorate of Logistics MRF, PAC Kamra  
Contact No. 051-90994294, 4414 & 4417, Fax No. 057-9317412**



**LIST OF OPEN TENDER NO MRF/17-18/14  
DATED 13-04-2018 OPENING DATE 27-04-2018**

SN O	PART NO	NOUN	QTY	U/I	SPECIFICATION
1	2320/PK0010230/ 1-656A4TB	1ST STG DIRT FLITERING ELEMENT	8	EA	MADE VELCON.USA OR EQUIVALENT
2	2320/PK0010230/ SO-630CA	2ND STG WATER SEPARTER ELEMENT	4	EA	MADE VELCON.USA OR EQUIVALENT
3	121-0015	ESD UNIVERSAL SUPPORT	AS REQ UIRE D	EA	SAMPLE DIAGRAM AVAILABLE AT THE END OF THIS TENDER
4	877694	ESD UNIVERSAL SUPPORT	AS REQ UIRE D	EA	SAMPLE DIAGRAM AVAILABLE AT THE END OF THIS TENDER
5	AEON3000	OIL	AS REQ UIRE D	LTR	
6	TSP-3	ALMEN GAGE CALIBRATION KIT	1	EA	
7	35-9030	ROE BUCK WORKLINE UNIVERSAL SHELF TROLLY	AS REQ UIRE D	EA	
8	35-9042	MOBILE WORK STAND	AS REQ UIRE D	EA	
9	EJ6003	CHART PAPER HYWL	1	RL	REQUIRED TO BE USER ON FURNACE FOR RECORD PURPOSE
10	METCO210NS	WELDING POWDER PLASMA	AS REQ UIRE	LBS	CHEMISTRY:ZRO224MGO PARTICLE SIZE:90+11 μM(- 170MESH+11μM) MAKE SULZER METCO OR EQUIVALENT



**PAKISTAN AERONAUTICAL COMPLEX**  
2 A SYMBOL OF EXCELLENCE IN AVIATION  
[www.pac.org.pk](http://www.pac.org.pk)



			D		
11	15-3836	ROLLER CABINET	4	EA	
12	8305PK1010004	RAGS WHITE	1594	KG	
13	7930-68-700-0242	RAG COLOURED	7128	KG	
14	7930-68-800-0050	STOCK NET	504	KG	
15	8305PK1010001	SPL LINT FREE CLOTH(CLEANING MATERIAL)	544	MTR	
16	7930PK1010008	WASHING POWDER 500GM	738	PKT	
17	P-207	LUBRIMOLY GREASE	1	BOX	
18	890-376	CRIMPLING TOOL	1	EA	
19	35-9016	MAINTINANCE TROLLY	12	EA	
20	1301/826E	PROBE (GUAGE BLOCK TESTING UNIT)	2	EA	
21	1202D	DIGITAL COMPARATOR MILLITRON	1	EA	
22	610-178-011-0NO VAPRESS	NOVA PRESS 1000XUNIVERSAL 1500	30	SH	
23	610-100-033-0NO VAPRESS	NOVA PRESS 1000XUNIVERSAL 1500	30	SH	
24	6850PK1990006	POTASIMUM PER MAGNATE	300	KG	

### TERMS & CONDITIONS:-

(i) GST may be indicated separately. The envelops must be marked with "Item's name and Commercial / Technical offer". Literature / brochures of equipment must be attached with technical offer.

(ii) Quotations must be submitted in two copies for single line item i.e. one copy with technical details without price and one copy as commercial offer in one envelops (no quotation will be accepted if it contains more than 01 item in a single quotation)

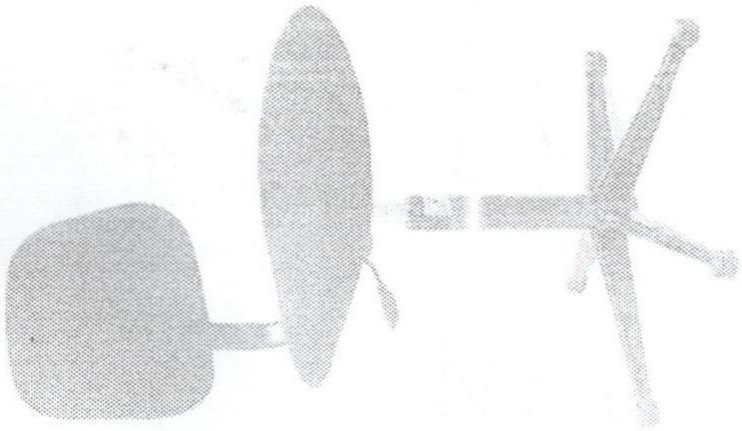


- (iii) Validity period should not be less than 90-120 days.
- (iv) Complete technical specifications, MSDS, OEM & Conformance Certificate, Calibration certificate, Fitness report where applicable are required. Sample of chemicals may be asked for test.
- (v) Quotation received after due date / time will not be entertained. The CFA reserves the right to accept / reject the part or whole tender.
- (vi) Professional Tax certificate, Punjab is mandatory.
- (vii) Quantity can be increased / decreased at the time of order as per our requirement.
- (viii) 05% of earnest money (CDR/BD) is also required in case of qualifying (for non registered with PAC Board).

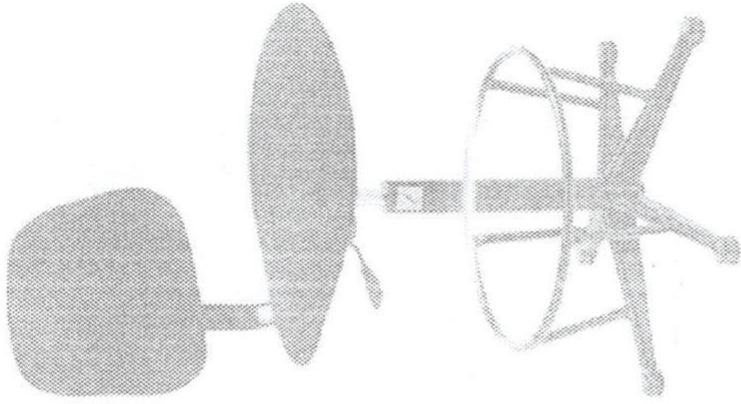
**Directorate of Logistics MRF, PAC Kamra**  
**Contact No. 051-90994294 & 4414, Fax No. 057-9317412**



AS2



AS3



**Features:**

- Specifically designed for use in the electronics and electrical industries.
- Pass European standard : EN 61340-5-1:2001 (ESD protective item requirements)
- Adjustable : Gas-lift seat height, back rest height (optional)
- Cushioned hardwearing upholstered seat and back rest
- Fixed height steel foot ring (AS3)

**Specification Table**

Description	Size	Additional Notes	Part Number
ESD Universal With Glides, Gas Lift	Adjustable Height : 430 to 570 mm	Charcoal	121-0015
ESD Universal With Glides, Footring	Adjustable Height : 550 to 800 mm		121-0016

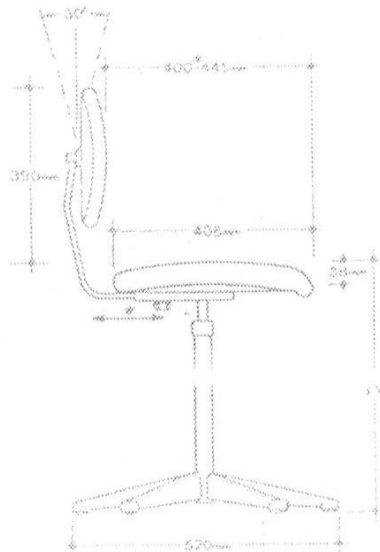


## ESD STANDARD SUPPORT

Code J912C and J913C  
FEC Part No 877694 and 877700

These conductive chairs are built to have a conductive path from the seat and backrest through the feet to the floor.

They use a five-star base that is finished in a grey/green stove enamelled paint. The chair covering is a hard wearing, grey dissipative cloth. The chair is adjustable within the following approximate dimensions.



Code	x =
J912:	460-580 mm
J913:	630-760 mm

Electrical properties:  $R_0$  from back rest and squab =  $10^5$  to  $10^7 \Omega$ .



**PAKISTAN AERONAUTICAL COMPLEX**  
6A SYMBOL OF EXCELLENCE IN AVIATION  
[www.pac.org.pk](http://www.pac.org.pk)

