

## Online Submitted Tender

<b>Organization Name</b>	<b>Pakistan Aeronautical Complex</b>													
<b>Address</b>	Aircraft Rebuild Factory, PAC													
<b>City</b>	Kamra													
<b>Tel No.</b>	051-909902260													
<b>Description</b>	<p>1. Sealed tenders are invited from sales tax registered firms for supply of following stores:-</p> <table border="1" style="width: 100%; border-collapse: collapse; margin: 10px 0;"> <thead> <tr> <th style="width: 8%;">S No.</th> <th style="width: 18%;">Tender No.</th> <th style="width: 40%;">DESCRIPTION</th> <th style="width: 10%;">QTY</th> <th style="width: 24%;">DETAILS</th> </tr> </thead> <tbody> <tr> <td style="text-align: center;">(a)</td> <td style="text-align: center;">ARF/PROV-011/ 2017-18</td> <td>PART NO: GZ05-FC1-64010-0HFLD3  NOUN: KCA MOUNTING DOLLY</td> <td style="text-align: center;">04</td> <td style="text-align: center;">Specification at last page</td> </tr> </tbody> </table> <p>Suppliers can contact through telephone No. 051-90990 Ext 2260 during working hours regarding any query.</p>				S No.	Tender No.	DESCRIPTION	QTY	DETAILS	(a)	ARF/PROV-011/ 2017-18	PART NO: GZ05-FC1-64010-0HFLD3  NOUN: KCA MOUNTING DOLLY	04	Specification at last page
S No.	Tender No.	DESCRIPTION	QTY	DETAILS										
(a)	ARF/PROV-011/ 2017-18	PART NO: GZ05-FC1-64010-0HFLD3  NOUN: KCA MOUNTING DOLLY	04	Specification at last page										
	<p>2. <b>There should be no mixing of rates and quotations</b> (Technical quotations with Commercial quotations). <b>More than one quotations in one envelop will be rejected.</b></p>													
	<p>3. <b>Technical Offer:</b> Technical offers should be without prices and contain all relevant essential specification along with literatures / brochures. <b>Tender number, date of opening and word (Technical offer)</b> should be clearly marked on the face of envelopes.</p>													
	<p>4. <b>Commercial Offer:</b> Commercial offers should indicate prices of quoted items and confirmation to the terms and condition of our tender inquiry. <b>Tender No.</b> and words "<b>Commercial offer</b>" be marked on the face of envelope.</p>													
	<p>5. <b>Bid Money/Earnest Money:</b> The Earnest money @ 5% (not exceeding 0.150 M) will be deposited by all firms irrespective of registration status in favour of Managing Director ARF in the form of <b>CDR</b> at the time of opening tenders in, separate envelope. Earnest money will remain deposited till the finalization of commercial quotes. It will be returned to unsuccessful bidders immediately after finalization of commercial quotes and on receipt of Performance Band Guarantee acceptance from CMA (DP) Rwp, to the contractor signing the contract. <b>Quotation without earnest money will be rejected.</b></p>													
	<p>6. <b>Both the envelopes of Technical and Commercial offers should be enclosed in one cover properly sealed and bear the following address of this office with tender number and opening date:-</b></p> <p style="text-align: center; margin-top: 20px;"> <b>Director Logistics</b>  Aircraft Rebuild Factory  Pakistan Aeronautical Complex, </p>													

Kamra - Distt. Attock

**Opening of Tenders:**

(a) The quotations must be in original and are to reach at this factory on **10:30 hrs on 18 January, 2018.**

(b) No quotation will be accepted in photocopy, through fax and after due date and time.

(c) Tender will be opened on **18 January, 2018 at 1100 Hrs** in the presence of available. We reserve the right to cancel or rejected all bids / proposals at any time prior to acceptance as per PPRA rules.

**7. Validity of Offer:** The quotation **should be valid upto 30<sup>th</sup> June, 2018. Offer with less validity will be rejected.**

**8. Delivery Period:** Stores are required **within minimum possible delivery period.** Offer with minimum delivery period are likely to be preferred. However, the delivery period should be factual as no extension will be subsequently granted except under extreme / un-avoidable circumstances.

**9. Country of Manufacture: Country / place of manufacture** of stores are to be provided along with Technical / Commercial offer.

**10. Release of Payment:** Payment will be released by **CMA ISOs Rawalpindi** on submission of proper bill / sales Tax invoice, copies of GST registration / Professional Tax certificates, Sales Tax Return of current financial year and copy of relevant SRO.

**11. Acceptance of Stores:** The ordered stores will be accepted by concerned technical user and our quality department along with warranty.

**12. SINGLE/MULTIPLE OFFERS:** Only one offer can be made in relevant currency for same item. **Multiple rates, if quoted, will be rejected.**

**13. RESTRICTION OF EXPORT / IMPORT LICENSE:** Offer subject to restriction of Import/Export License will not be entertained.

**14. Bank Guarantee against contract performance** It will be **between 5% to 10% of** total value of contract excluding taxes/duties and freight/handling charges etc. It shall remain enforce till 60 days beyond the Delivery Period stipulated in the contract..

**15. APPLICATION OF OFFICIAL SECRET ACT:** All matters connected with this inquiry and subsequent actions arising thereafter fall within the scope of the Pakistan Official Secret Act 1923 which forbid providing contractual information to unauthorized / unconcerned person/organization. The firm is therefore, requested to ensure complete secrecy regarding documents and stores concerned with the inquiry to limit the number of employees having access to this information.

**16. PRICES** The prices quoted must be per unit of issue / accounting unit as shown in the "Schedule to Tender" inclusive of sales tax/excise duty

and surcharges. The breakdown of taxes/excise duty is to indicated separately. The prices must be stated for each item separately both in figures and words in Pak currency. Over writing / erasing in prices will be rejected. **Also provide certificate “Certified that stores offered are factory new and from latest production and prices quoted are not more than the international market prices and also not more than those being charged from other buyers”.**

**17. DISQUALIFICATION:** Offers are liable to be rejected if: -

- (a) There is deviation from any instruction described in this invitation to tender.
- (b) Offers are found conditional or incomplete in any respect.
- (c) Multiple rates are quoted against one item.
- (d) Manufacturer relevant brochure is not attached (in case of equipment or major assemblies of equipment).
- (e) Offer received later than appointed time and date.
- (f) Tender specification if not confirming to the offer. In case of equipment/ major assemblies manufacturer’s brochures shows specifications different from those given in tender.
- (g) Offer subject to restriction of Export License.
- (h) Over writing /erasing in prices.
- (j) Validity of offer is not quoted as required in IT or made subject to confirmation letter.
- (k) Earnest money not provided.

**18. TERMS AND CONDITIONS FOR TENDER INQUIRY**

- (a). Items to be delivered at ARF on “FOR” Kamra basis.
- (b). Supplier will be made responsible for warranty/guarantee of items.
- (c). Prices and part catalogue be provided free of cost (if applicable).
- (d). Items should be Factory New (FN).
- (e) Stores will be inspected by concerned user/quality control of ARF.

	<p>(f) Supplier must provide MSDS and TDS along with the stores where required.</p> <p>(g) DOM and DOE must be marked clearly on the consignment.</p>
	<p><b>19. ELIGIBILITY OF SUPPLIER FOR TENDER .</b></p> <p>(a) Only registered suppliers, who are on Active Taxpayer List (ATL) of FBR are eligible to supply goods / services to ARF, PAC Kamra.</p> <p>(b) Payment will be released on the basis of Active Taxpayer status of the suppliers as per FBR database. If any registered supplier is not in ATL, his payment should be stopped till he files his mandatory returns and appears on ATL of FBR.</p>

**Form PACB-02A**

**PAKISTAN AERONAUTICAL COMPLEX BOARD KAMRA**

**SCHEDULE TO TENDER**

1. **Tender Inquiry No: ARF/PROV-011/2017-18**

2. **Time and Date of opening Tender at 1100 Hrs on 18-01-2018**

(1)	(2)	(3)	(4)	(5)	(6)
Item No	Part No. Description of stores with specifications	Unit of issue	Qty	Price per unit	Total price

**Grand Total** \_\_\_\_\_

Signature of Tenderer  
(Capacity in which signing)

**UNDER TAKING**

**(Fill in and Return)**

**To:**

**Managing Director  
Aircraft Rebuild Factory  
Pakistan Aeronautical Complex Board  
Kamra Distt Attock**

Dear Sir,

I/We hereby offer to supply to PAC Board the stores detailed in the Schedule to Tender or such portion thereof as you may specify in the contract at the prices given in Form **PACB – 02A** and further agree that this offer will remain valid up to \_\_\_\_\_ and will not be withdrawn or altered in terms of rates quoted and the condition stated therein on or before this date. I/We shall be bound by your communication of acceptance to be dispatched within the prescribed time.

I/We understood the instructions to Tenders and condition of contract as laid down in “TENDER” and thoroughly examine specification / drawing and / or patterns quoted in the Schedule to Tender and am/are fully aware to the nature of the stores required and my/our offer is to supply stores strictly in accordance with the requirements.

**Witness’s Signature:**

Name:

N.I.C No.

Address:

Date:

**Signature of Tenderers:**

Name:

N.I.C No.

Capacity in which Signing:

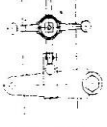
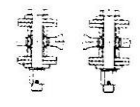
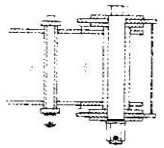
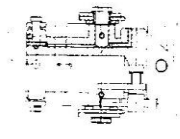
Address:

Date:

Tele: Telex/Fax

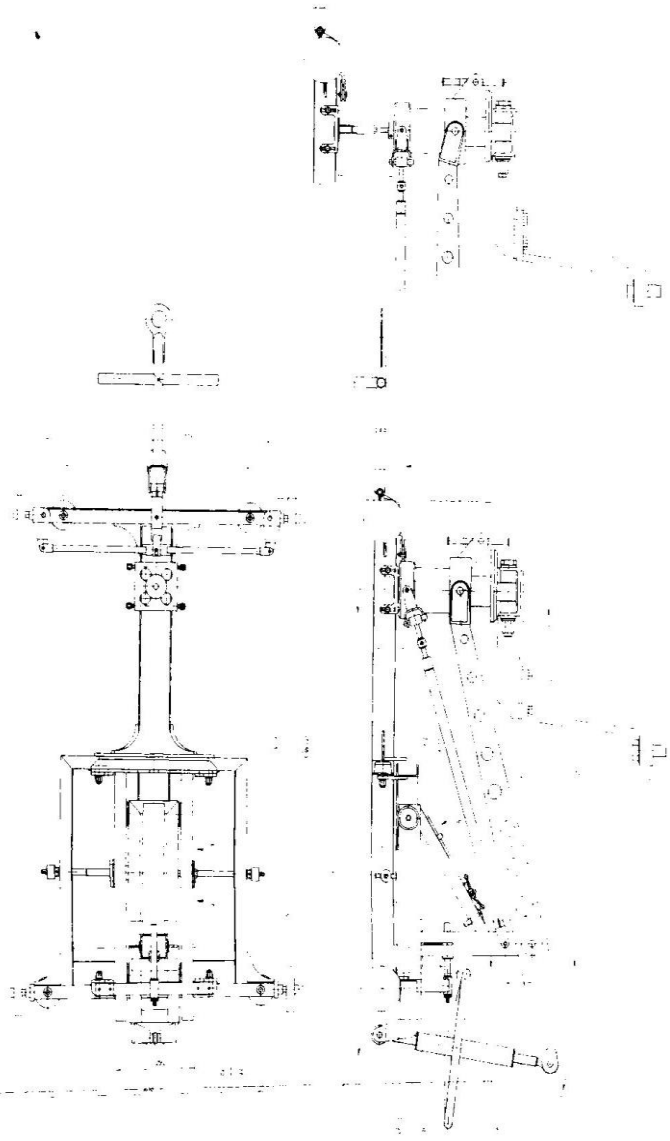
## TECHNICAL SPECIFICATION / TERMS

1. Store must be of latest production series.
2. Packing of the store should be adequately done with absolute resistant material so as to avoid from any damage during transportation.
3. Store will be accepted in accordance with standard specification provided in the indent at consignee premises subject to acceptance by user and quality inspection.
4. Firm should be a recognized manufacturing facility in case it is to be manufacturer.
5. Firm awarded with contract to provide a drawing CAD model with in one month after awarding of contract.
6. Stage wise inspection at following occasion are schedule:-
  - (a) Material procurement along with report of manufacturer.
  - (b) After machining process.
  - (c) Final Assembly



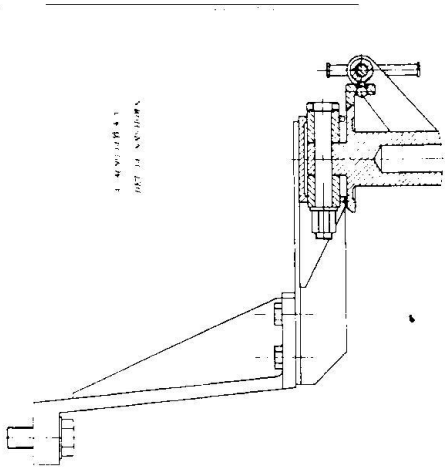
Platz für die Beschriftung der Zeichnung

Die Beschriftung der Zeichnung ist in der folgenden Weise vorzunehmen:  
1. Die Beschriftung der Zeichnung ist in der folgenden Weise vorzunehmen:  
2. Die Beschriftung der Zeichnung ist in der folgenden Weise vorzunehmen:  
3. Die Beschriftung der Zeichnung ist in der folgenden Weise vorzunehmen:  
4. Die Beschriftung der Zeichnung ist in der folgenden Weise vorzunehmen:  
5. Die Beschriftung der Zeichnung ist in der folgenden Weise vorzunehmen:  
6. Die Beschriftung der Zeichnung ist in der folgenden Weise vorzunehmen:  
7. Die Beschriftung der Zeichnung ist in der folgenden Weise vorzunehmen:  
8. Die Beschriftung der Zeichnung ist in der folgenden Weise vorzunehmen:  
9. Die Beschriftung der Zeichnung ist in der folgenden Weise vorzunehmen:  
10. Die Beschriftung der Zeichnung ist in der folgenden Weise vorzunehmen:





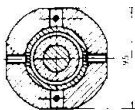




1. 零件圖  
107-11-10000A

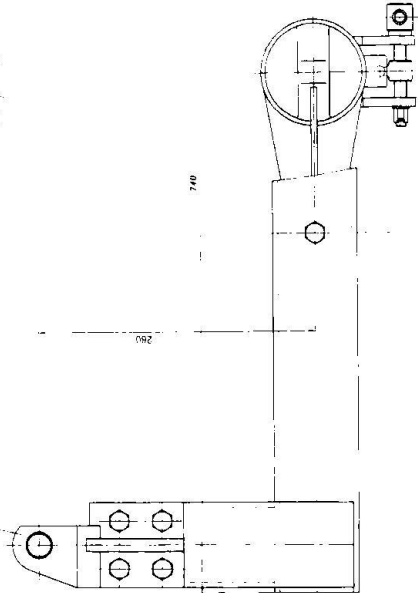
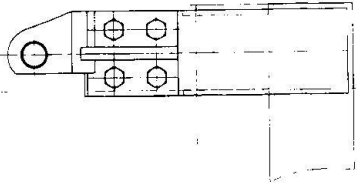
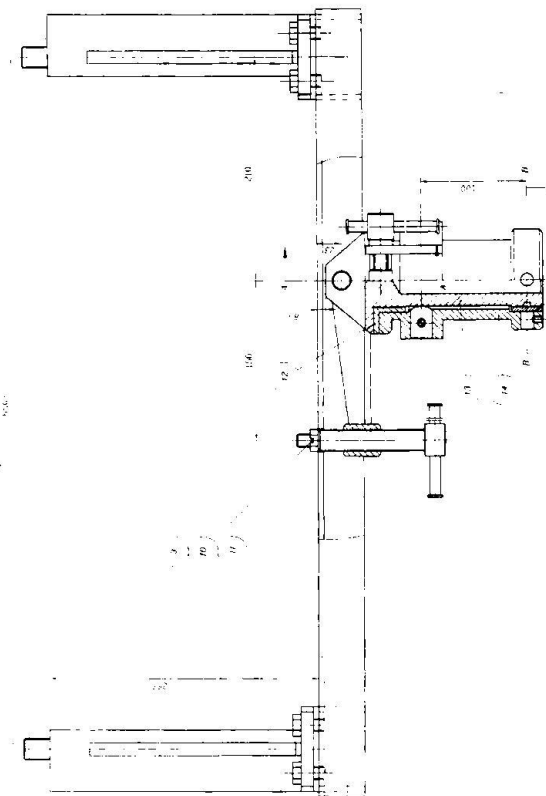
107-11-10000A

注意：各零件圖均有，單子材料編碼區及清單。  
NOTE: AFTER PARTS FABRICANT, NEED RUNNING TRACK CAN

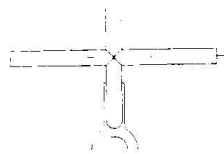
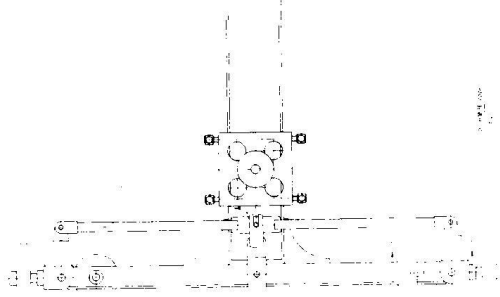
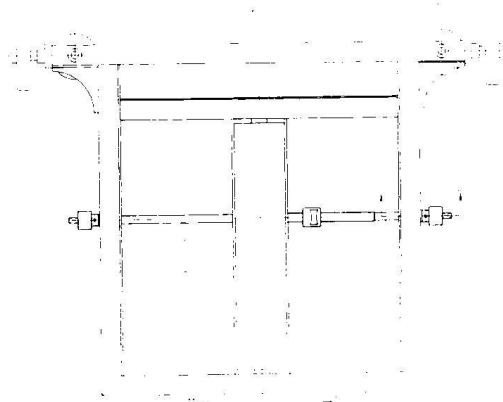
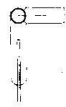
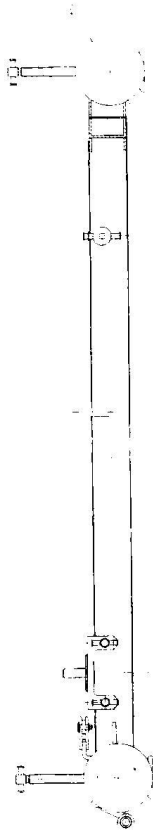


1	107-11-10000A	1	107-11-10000A
2	107-11-10000A	2	107-11-10000A
3	107-11-10000A	3	107-11-10000A
4	107-11-10000A	4	107-11-10000A
5	107-11-10000A	5	107-11-10000A
6	107-11-10000A	6	107-11-10000A
7	107-11-10000A	7	107-11-10000A
8	107-11-10000A	8	107-11-10000A
9	107-11-10000A	9	107-11-10000A
10	107-11-10000A	10	107-11-10000A
11	107-11-10000A	11	107-11-10000A
12	107-11-10000A	12	107-11-10000A
13	107-11-10000A	13	107-11-10000A
14	107-11-10000A	14	107-11-10000A
15	107-11-10000A	15	107-11-10000A
16	107-11-10000A	16	107-11-10000A
17	107-11-10000A	17	107-11-10000A
18	107-11-10000A	18	107-11-10000A
19	107-11-10000A	19	107-11-10000A
20	107-11-10000A	20	107-11-10000A
21	107-11-10000A	21	107-11-10000A
22	107-11-10000A	22	107-11-10000A
23	107-11-10000A	23	107-11-10000A
24	107-11-10000A	24	107-11-10000A
25	107-11-10000A	25	107-11-10000A
26	107-11-10000A	26	107-11-10000A
27	107-11-10000A	27	107-11-10000A
28	107-11-10000A	28	107-11-10000A
29	107-11-10000A	29	107-11-10000A
30	107-11-10000A	30	107-11-10000A
31	107-11-10000A	31	107-11-10000A
32	107-11-10000A	32	107-11-10000A
33	107-11-10000A	33	107-11-10000A
34	107-11-10000A	34	107-11-10000A
35	107-11-10000A	35	107-11-10000A
36	107-11-10000A	36	107-11-10000A
37	107-11-10000A	37	107-11-10000A
38	107-11-10000A	38	107-11-10000A
39	107-11-10000A	39	107-11-10000A
40	107-11-10000A	40	107-11-10000A
41	107-11-10000A	41	107-11-10000A
42	107-11-10000A	42	107-11-10000A
43	107-11-10000A	43	107-11-10000A
44	107-11-10000A	44	107-11-10000A
45	107-11-10000A	45	107-11-10000A
46	107-11-10000A	46	107-11-10000A
47	107-11-10000A	47	107-11-10000A
48	107-11-10000A	48	107-11-10000A
49	107-11-10000A	49	107-11-10000A
50	107-11-10000A	50	107-11-10000A

107-11-10000A



107-11-10000A



SECTION 1 - PULLEY DRIVE  
FOR THE... (text is faint and partially obscured)

SECTION 2 - DRIVE MOTOR

